

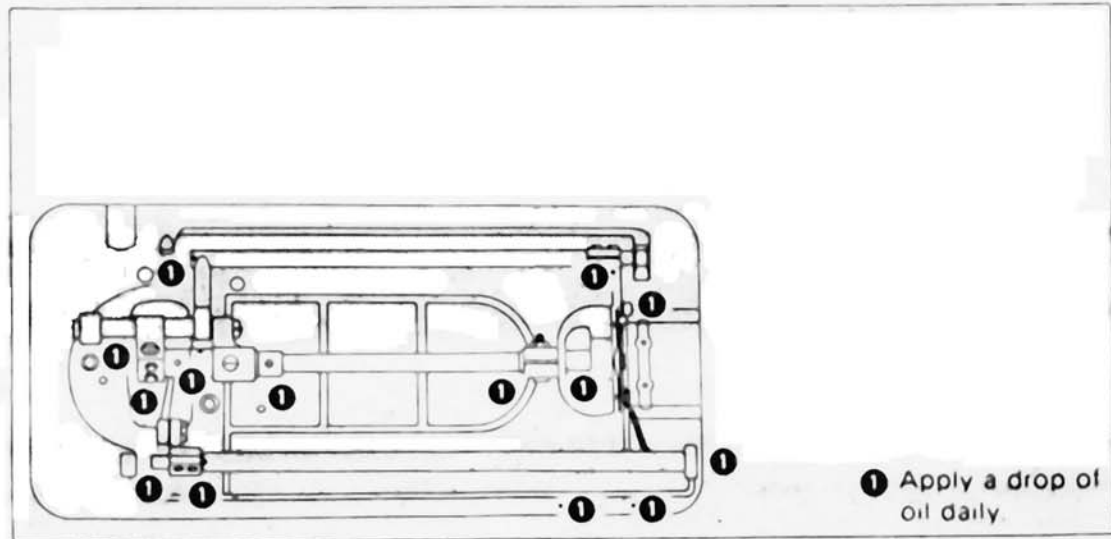
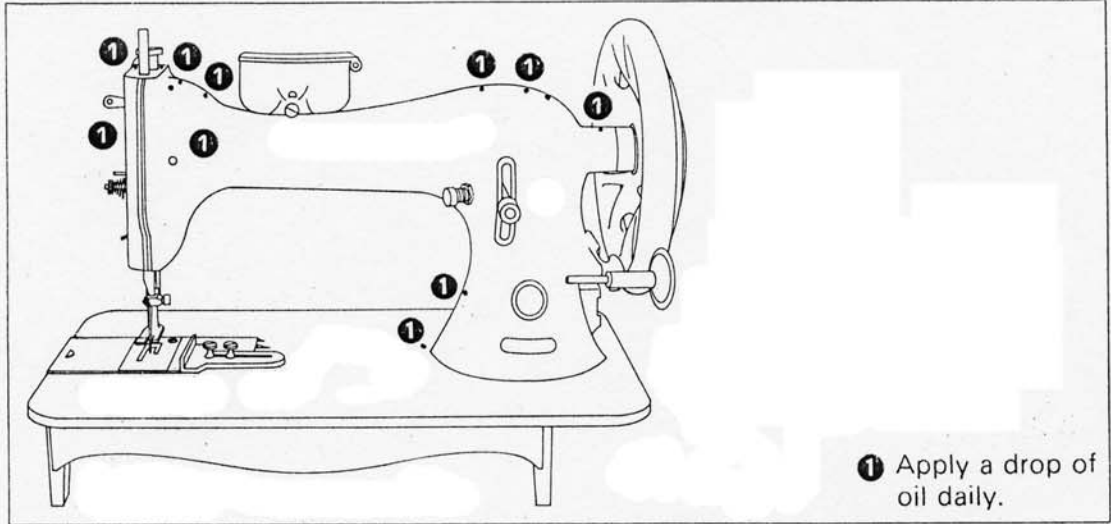
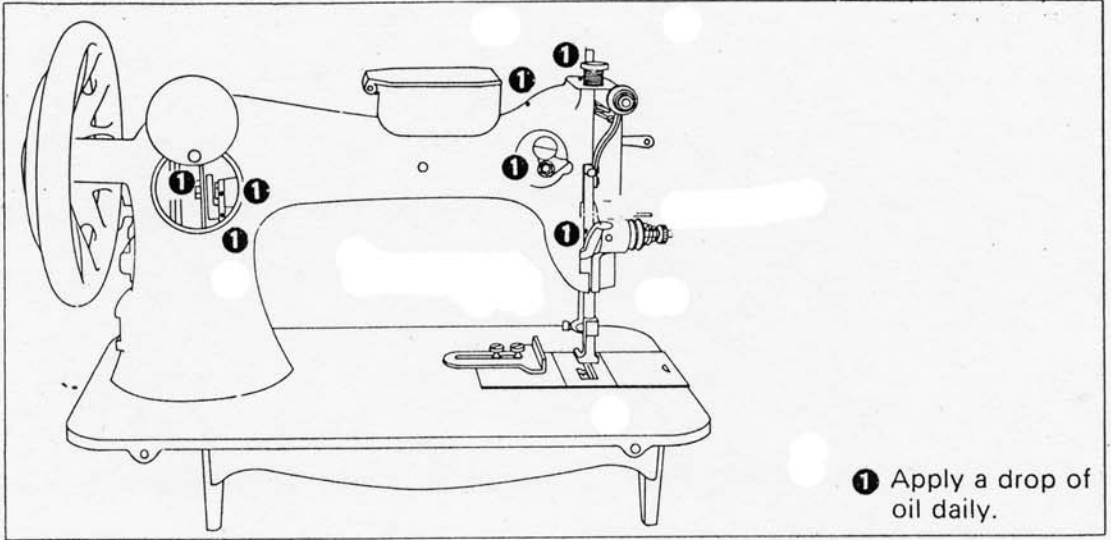
**Operator's
Guide**

SINGER

45K

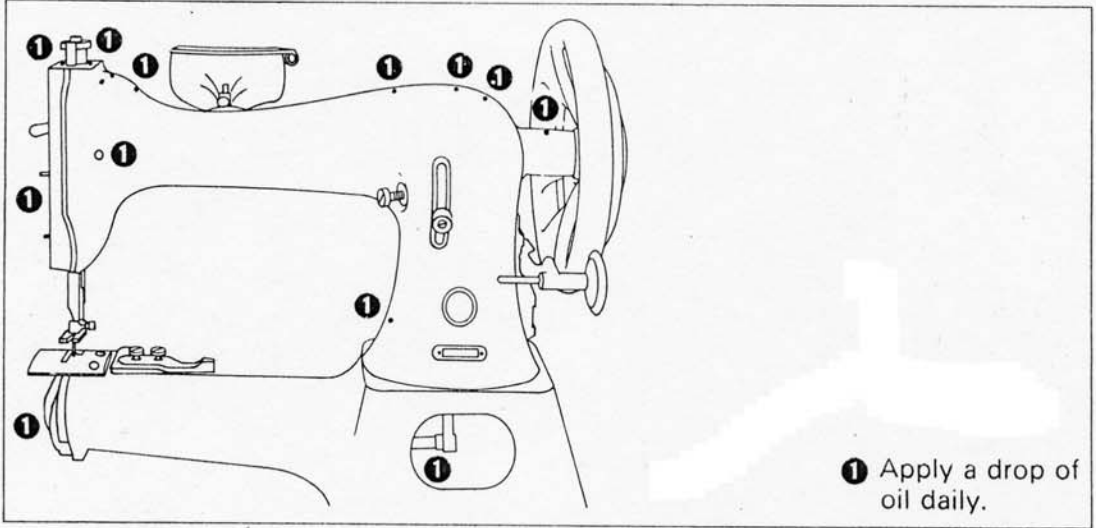
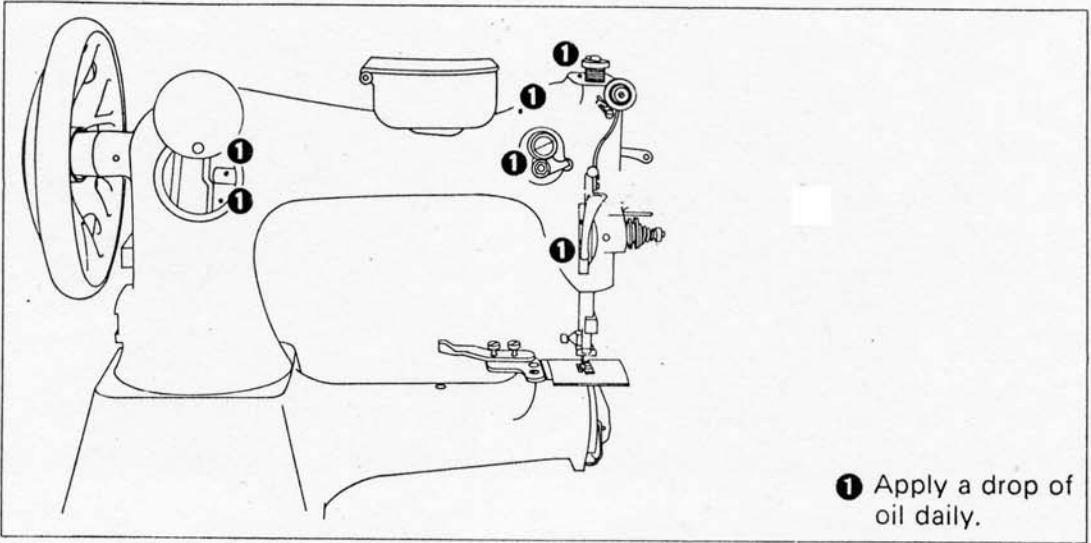
Lubrication

Flat bed machines



Lubrication

Cylinder bed machines

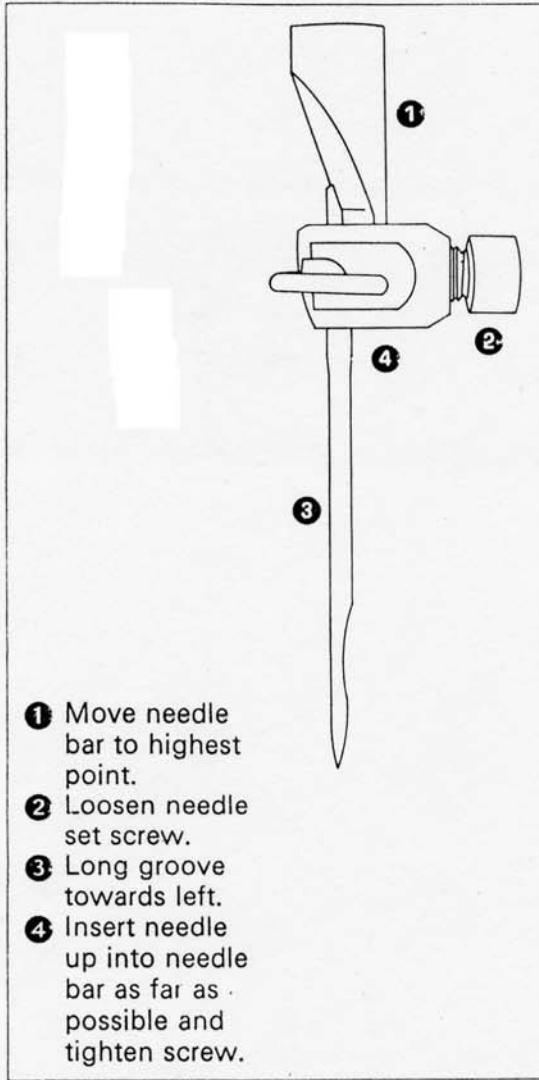


Use Singer Oil, Type 'B' or 'D' only.

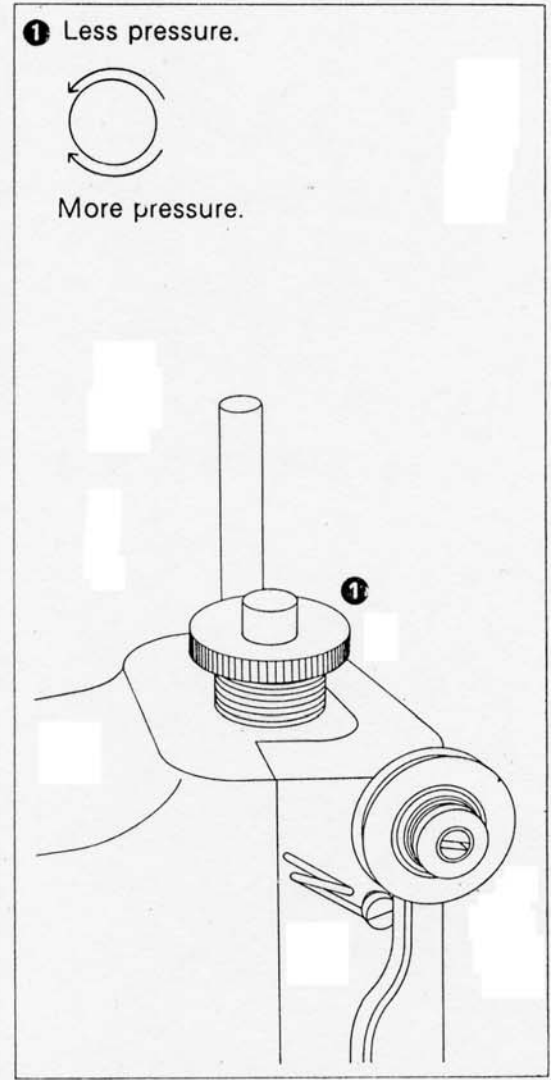
Cleaning

Using short bristled brush (not point of scissors or shears), remove lint or other waste from around the shuttle from between the feed rows and underside of the throat plate and from other operating parts. Wipe the exterior of machine with a soft cloth.

Needle



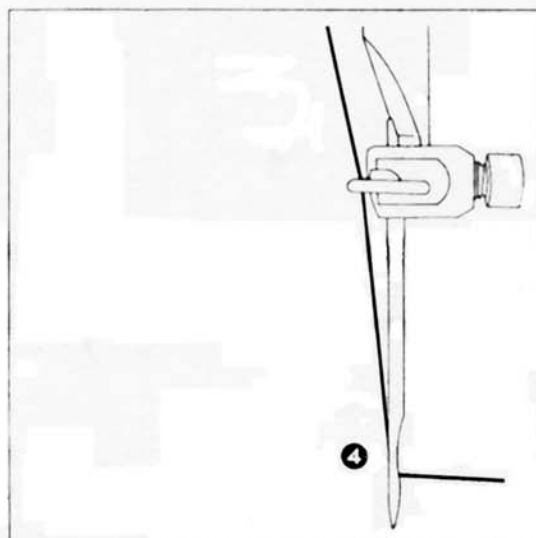
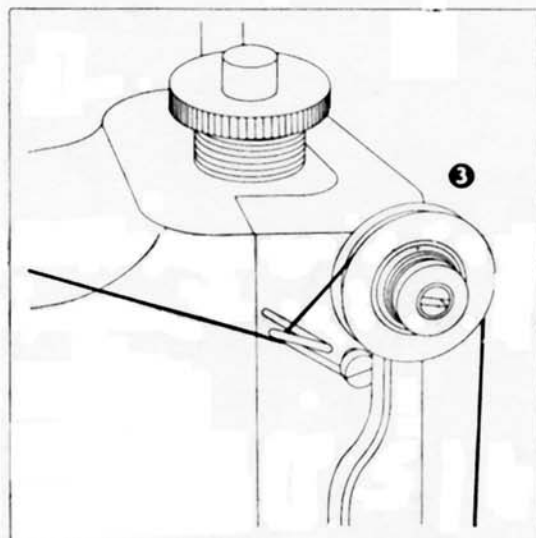
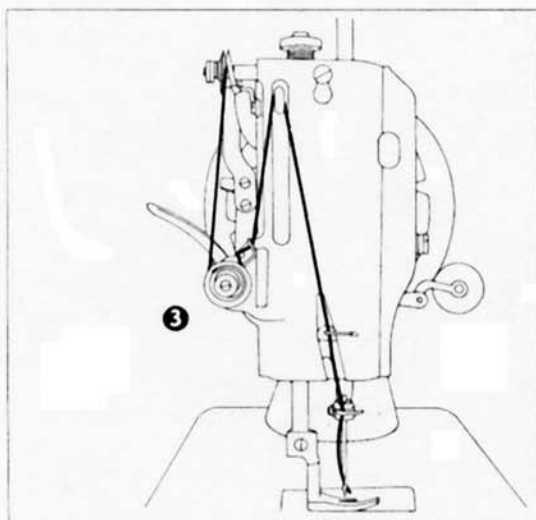
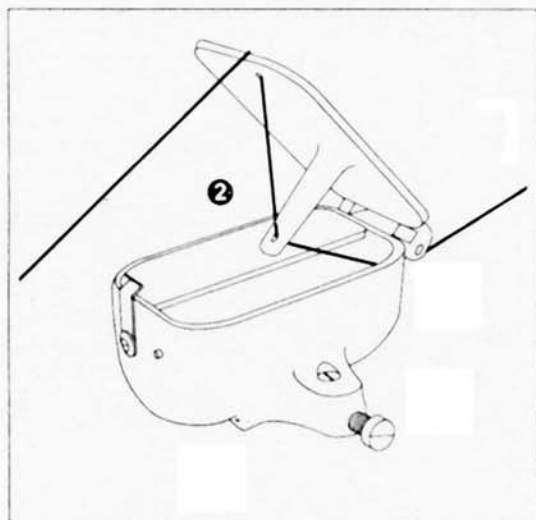
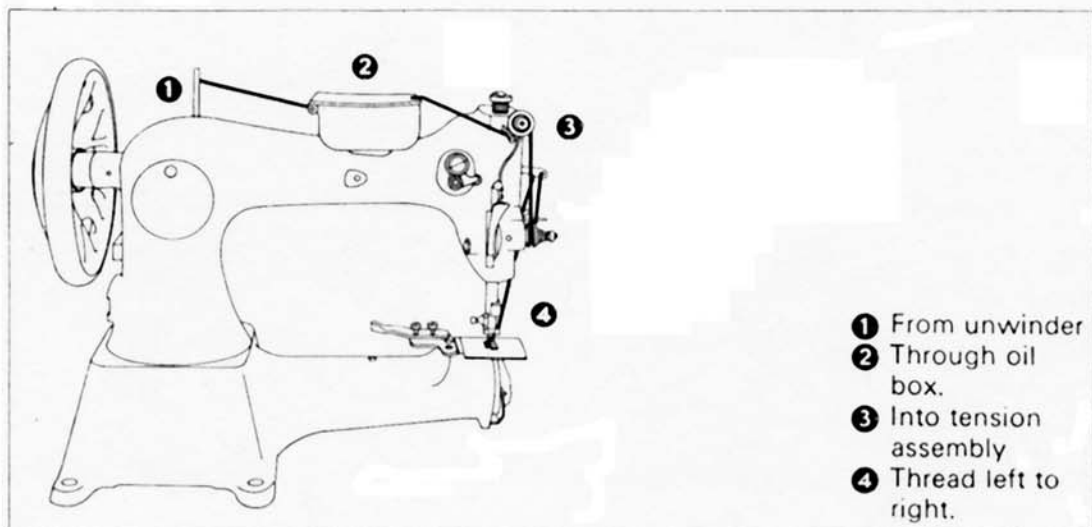
Presser foot pressure



Use Singer needles, Catalogue 4950, 4906, 4920, 4960, 4961, 4962, 4966, 4967 or 4968 in sizes determined by type of material to be sewn, fittings to be used and size of thread. Use **left twist thread in the needle**, and either left or right twist thread in the shuttle

The pressure on the material should be as light as possible, while still sufficient to ensure correct feeding.

Threading needle

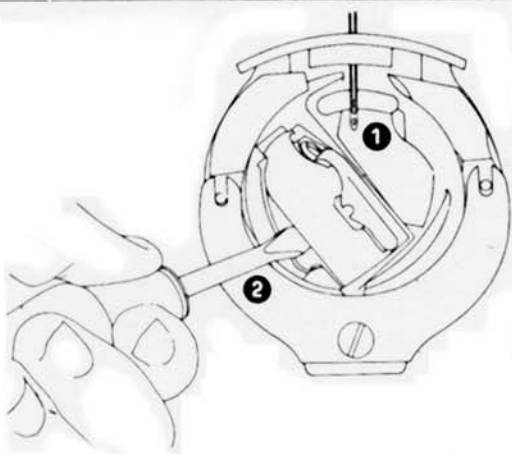


Bobbin removal and winding

Cylinder bed machines

- 1 Turn machine pulley towards you until needle bar is at its lowest point.
- 2 Insert a screwdriver

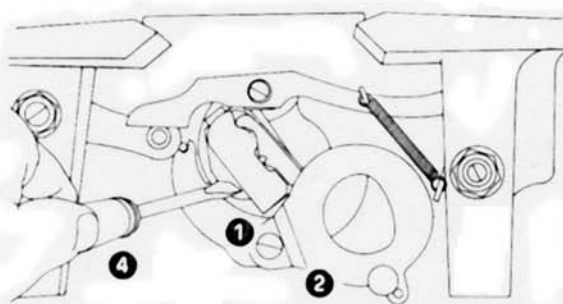
blade between the shuttle and the shuttle spring. Press down and bobbin will drop out.



Flat bed machines

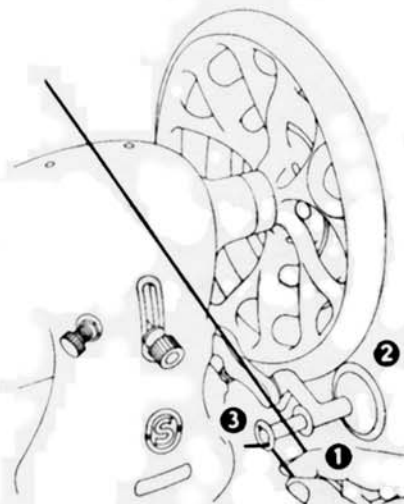
- 1 Loosen screw.
- 2 Swing end cover aside.
- 3 Turn machine pulley towards you until needle bar is at its lowest point.

- 4 Insert a screwdriver blade between the shuttle and the shuttle spring. Press down and bobbin will drop out.



- 1 Press bobbin onto spindle.
- 2 Press bobbin winder against machine pulley.
- 3 Lead thread from unwinder right to left through hole in left flange of bobbin.
- 4 Hold thread as shown.
- 5 Start machine
- 6 Guide thread evenly over bobbin until

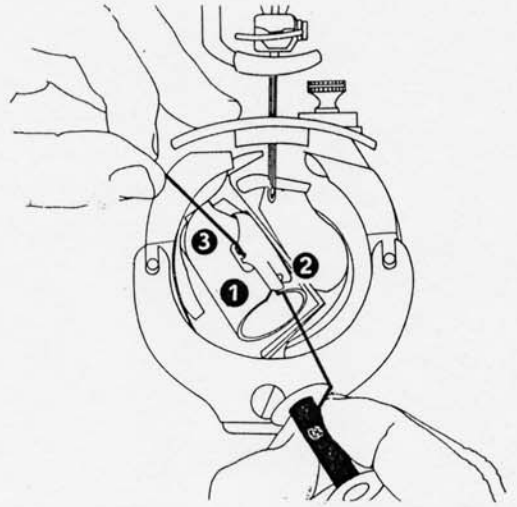
- 7 almost full. Stop machine. Break thread and swing bobbin winder back into position.



Threading shuttle

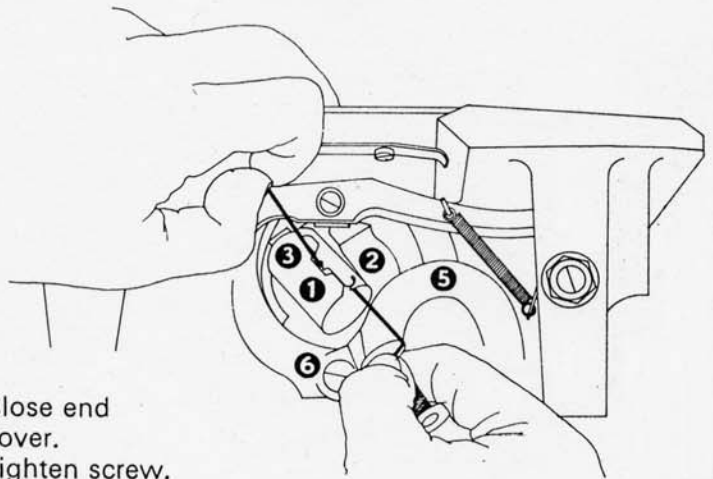
Cylinder bed machines

- 1 Place bobbin in shuttle cylinder.
- 2 Draw thread into slot and under tension spring.
- 3 Lead thread into delivery eye.
- 4 Press shuttle cylinder back into position.



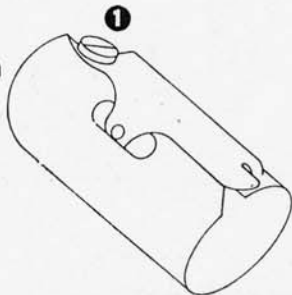
Flat bed machines

- 1 Place bobbin in shuttle cylinder.
- 2 Draw thread into slot and under tension spring.
- 3 Lead thread into delivery eye.
- 4 Press shuttle cylinder back into position.
- 5 Close end cover.
- 6 Tighten screw.

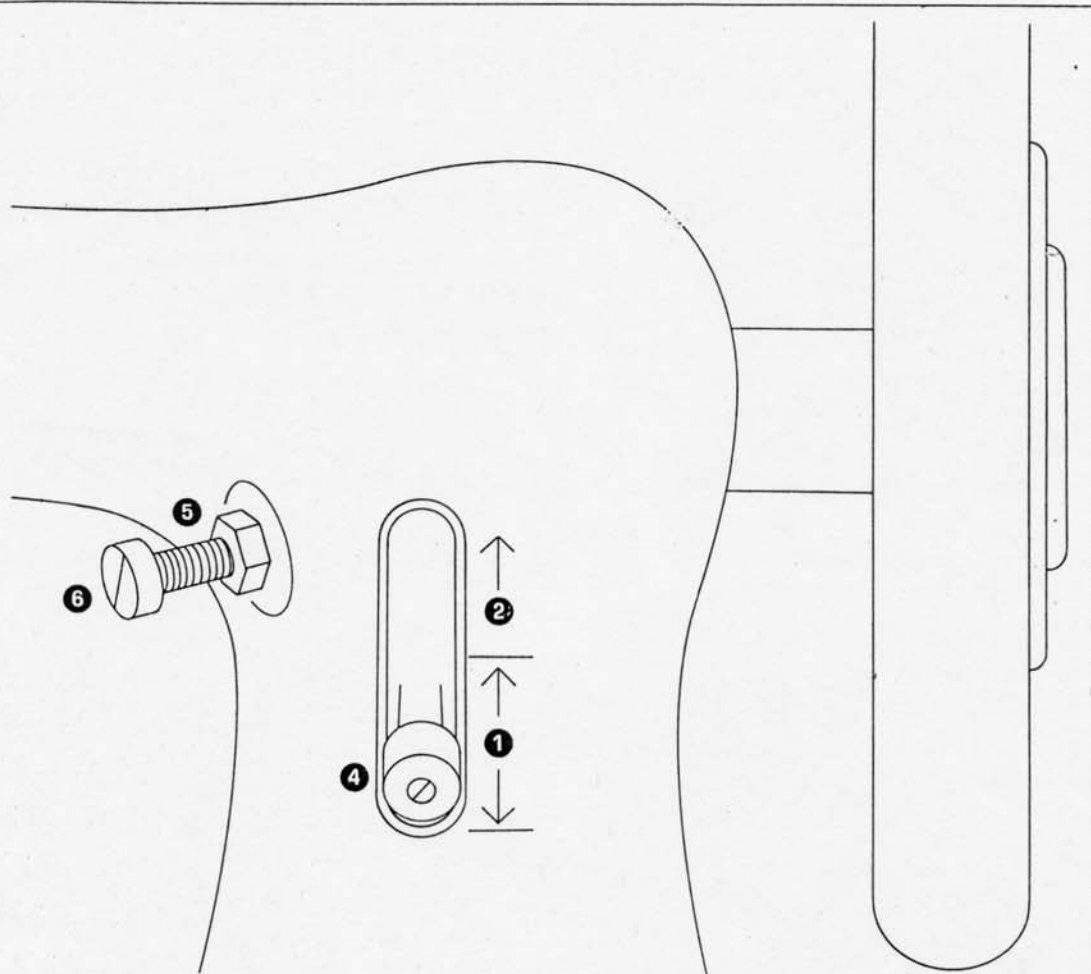


Shuttle tension

- 1 More tension

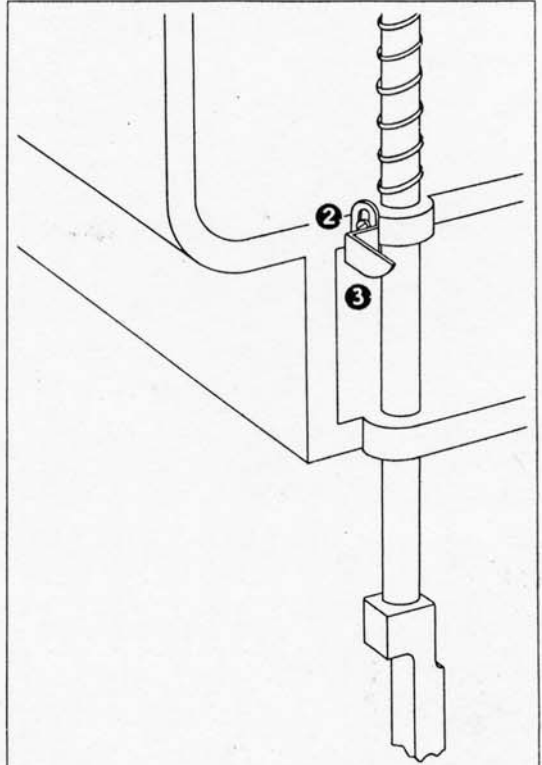


Reversing direction of feed and altering length of stitch



- 1 Moving screw 4 up towards the middle of slot increases stitch length ; moving screw 4 down towards the bottom of slot decreases stitch length. This applies to forward stitching.
- 2 Moving screw 4 above middle of slot reverses the feed.
- 3 To obtain the same stitch length forward and reverse, set screw 4 to forward stitch length. Loosen locknut 5, turn screw 6 in or out until it contacts the inner mechanism. Tighten locknut 5. Press screw 4 up for reverse ; down for forward.

Regulating automatic thread controller



To adjust:

- ① Remove face plate.
- ② Loosen screw.
- ③ Raise or lower thread controller.
- ④ Tighten screw.
- ⑤ Replace face plate.

The thread controller allows the thread take-up spring to adapt itself to varying thicknesses of material. It should be set to allow the thread take-up spring to leave the thread slightly slack when the eye of the needle is about 1/8 inch (3mm) above the surface of the work. If the controller is too low the thread will be cut in the eye of the needle. Too high will cause the stitching to lie loose on top of the material.